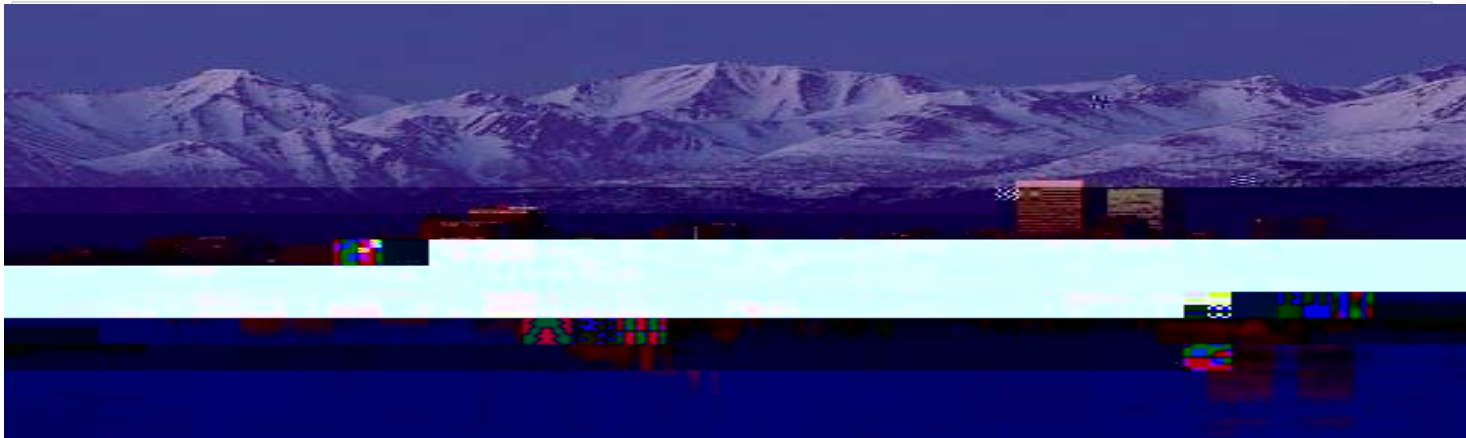


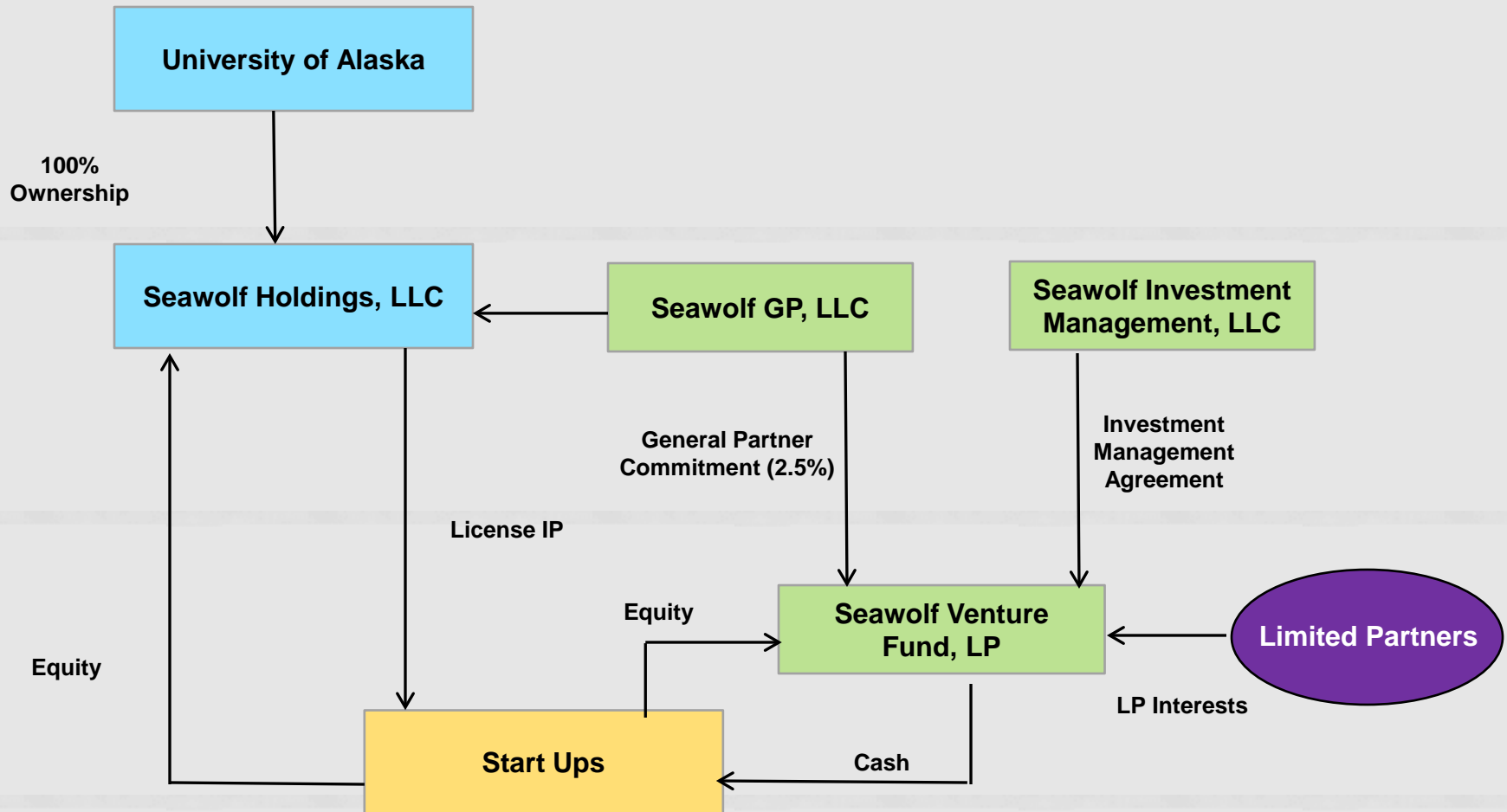
INNOVATION AND TECHNOLOGY COMMERCIALIZATION AT UAA



February
21, 2014

DR. HELENA S. WISNIEWSKI
Vice Provost for Research and Graduate Studies, UAA
President, Seawolf Holdings, LLC

UAA TECHNOLOGY COMMERCIALIZATION AND PRIVATE INVESTMENT STRUCTURE



SEAWOLF HOLDINGS, LLC BOARD OF DIRECTORS

- **Dr. Helena S.**

GENERAL PARTNER

FOR THE SEAWOLF VENTURE FUND, LP

- **Springwell Capital Partners, LLC** – located in Stamford, CT — a private commercial entity.
- **The partners are successful executive careers at:**
 - GE Capital, AT&T, Hughes Electronics, and Bain & Company.
- **Principals have \$100B in transactions under belt**
 - Successful investment, acquisitions, start-ups and restructuring.

- **Principals**



Mufit Cinali



Gardner L. Grant, Jr.



Kun Lee

DATENTIC

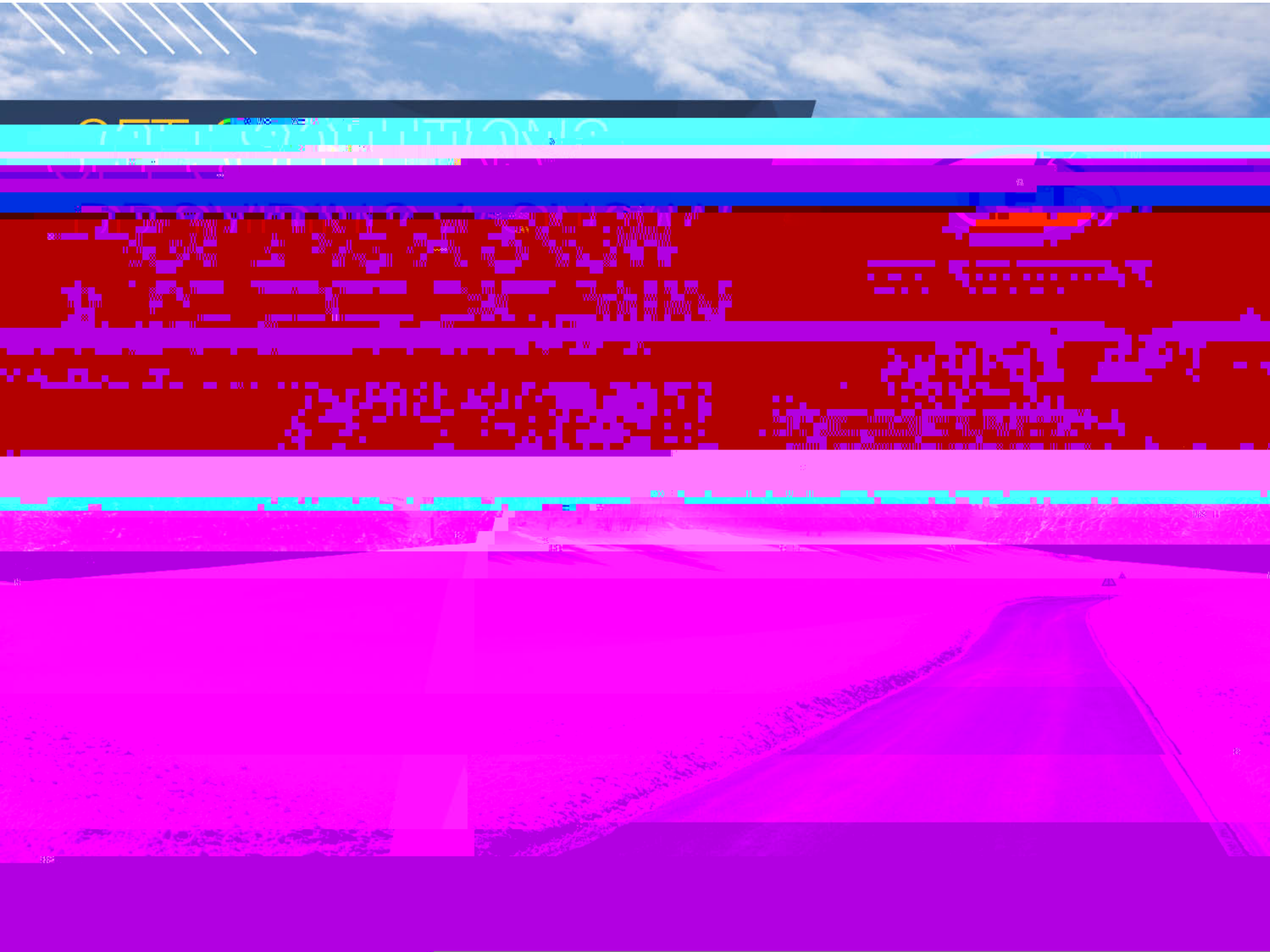
1

1. **INVENTION**

2. **DESCRIPTION**

3. **CLAIMS**

4. **REFERENCES**





CFT SOLUTIONS, LLC

FORMED MAY 2013

- **Product:** innovative, cost-effective approach to snow removal and deicing using carbon fiber tapes embedded under the surface. **Patent Pending#61/699,372.**

Advantages

- **Easy installation at lower costs** 40% the cost of a hydronic system.
- **Significantly less expensive** to operate than hydronic systems - 50% less - \$0.02/ft²/day.
- **Self-monitoring** – sensors control the on/off power based on the surface temperature and moisture.
- **Durable** – carbon fiber tapes have high strength and long term stability.
- **Versatile** – easily customized.
- **Safe** – Operates with 24 V AC.
- **Alaska tested** – successfully in Anchorage during a record snowfall in 2011-12.

Applications include

- High pedestrian traffic
- Road intersections; parking lots
- Domestically in driveways/walkways
- Bridges, roofs

Installations & Potential Customers

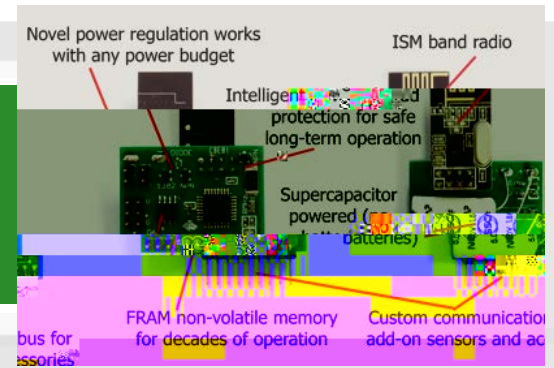
- **Currently a walkway at UAA**
- **UL Site Certified**
- **Commercial bid submitted.**
- **Other installations planned this spring.**





ZENSOR, LLC

FORMED APRIL 2013



- **Product:** a new generation of wireless sensors yielding significant improvement for use in remote monitoring, system management (SCADA), surveillance and security.
 Patent Pending 13/891,894.

Market Trend

- **Global wireless sensor market** expected to increase at 43.1% annually to reach \$4.7 billion by 2016. Ref. research firms such as BCC.

Zensor™ meets market needs

- **Industrial installations:** early warning data for various infrastructures; SCADA systems (for pipelines & other structures).
- **Surveillance and security:** border activity sensors detect vibrations - movement of persons; submarine and surface vessels.
- **Climate Change and Ecology:** remote sites expanses of difficult-to-reach geographic areas. Environmental changes - ice flow/melt; data collection from animal herds.

Advantages

- **No batteries** required
- **Ultra long life**
- **Low Cost**—Less than \$40 per sensor
- **Distributed Wireless Networked** system- data receipt, transmission and storage
- **Each sensor stores information about every other sensor in network**
- **Multiple Capabilities - data on:** vibrations, tilt, humidity, light intensity, temperature, sound, thermal images. Additional criteria can be added.
- **Arctic Testing** - reliability under extremes.

Featured in Alaska Business Monthly – July 2013.

IN THE PIPELINE

LICENSING, STARTUPS, JOINT VENTURES

From UAA

- **Water remediation for challenging waters –**
ceramic membrane with ultraviolet light

INCENTIVES FOR RESEARCH AND INNOVATION